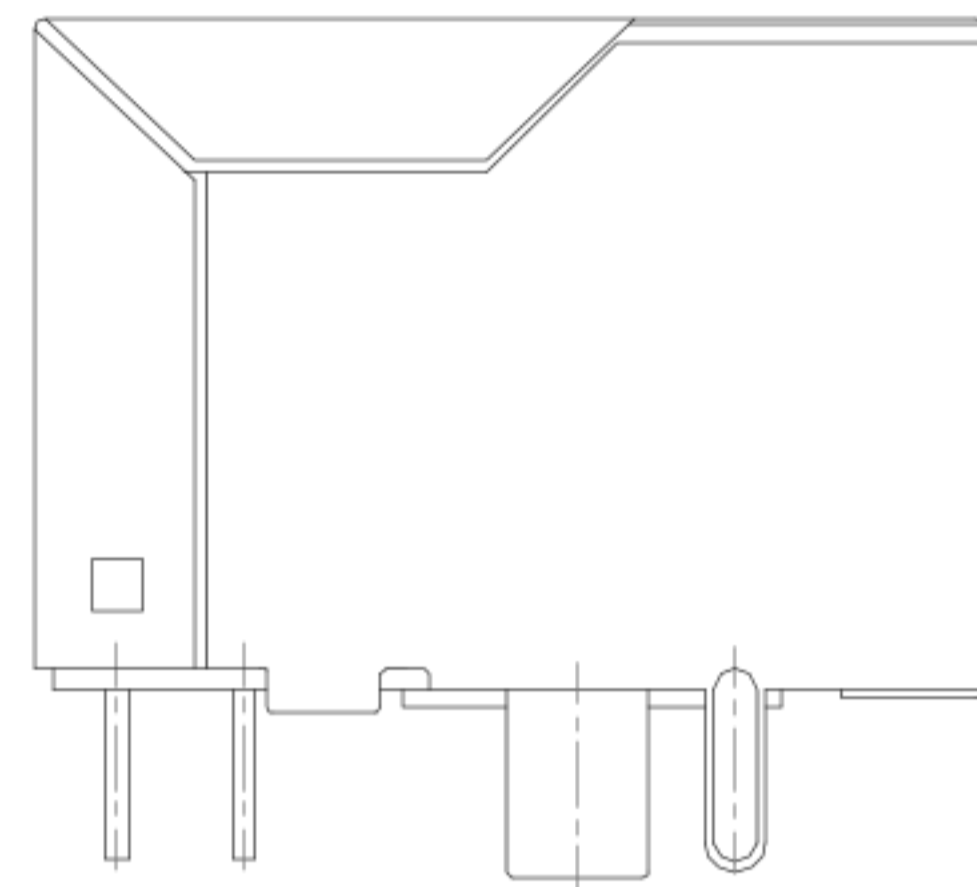
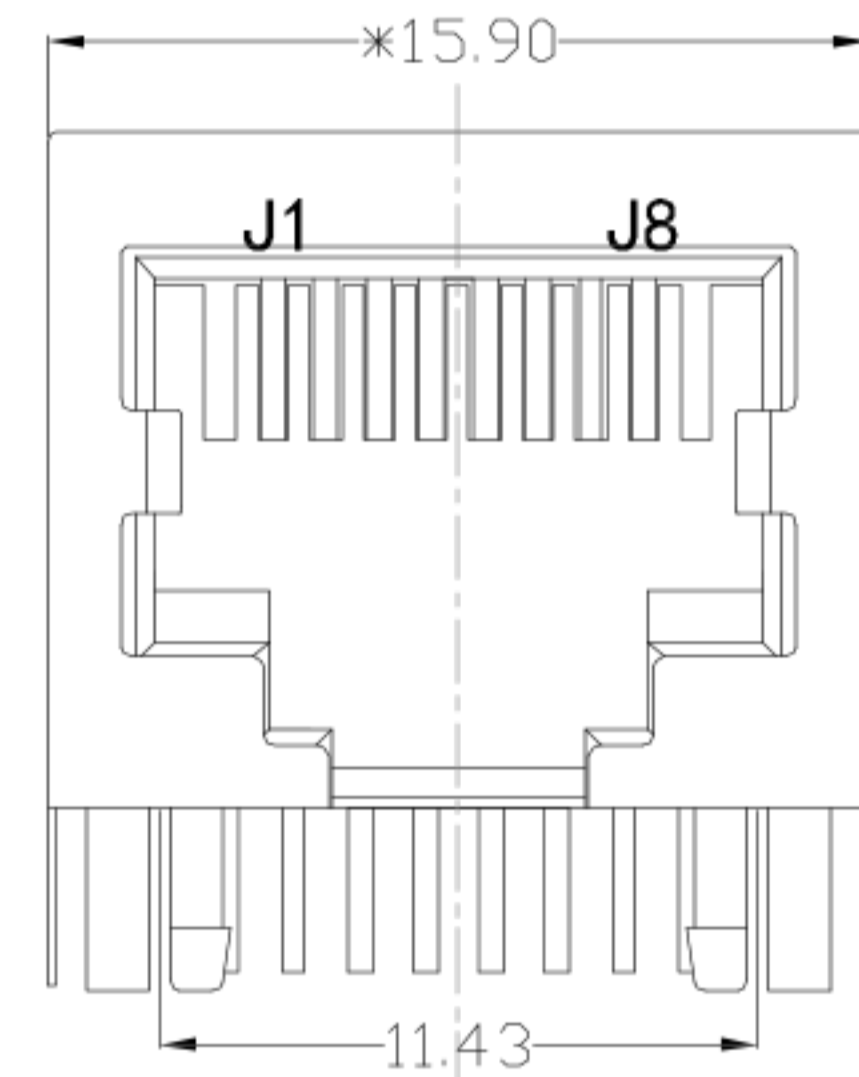


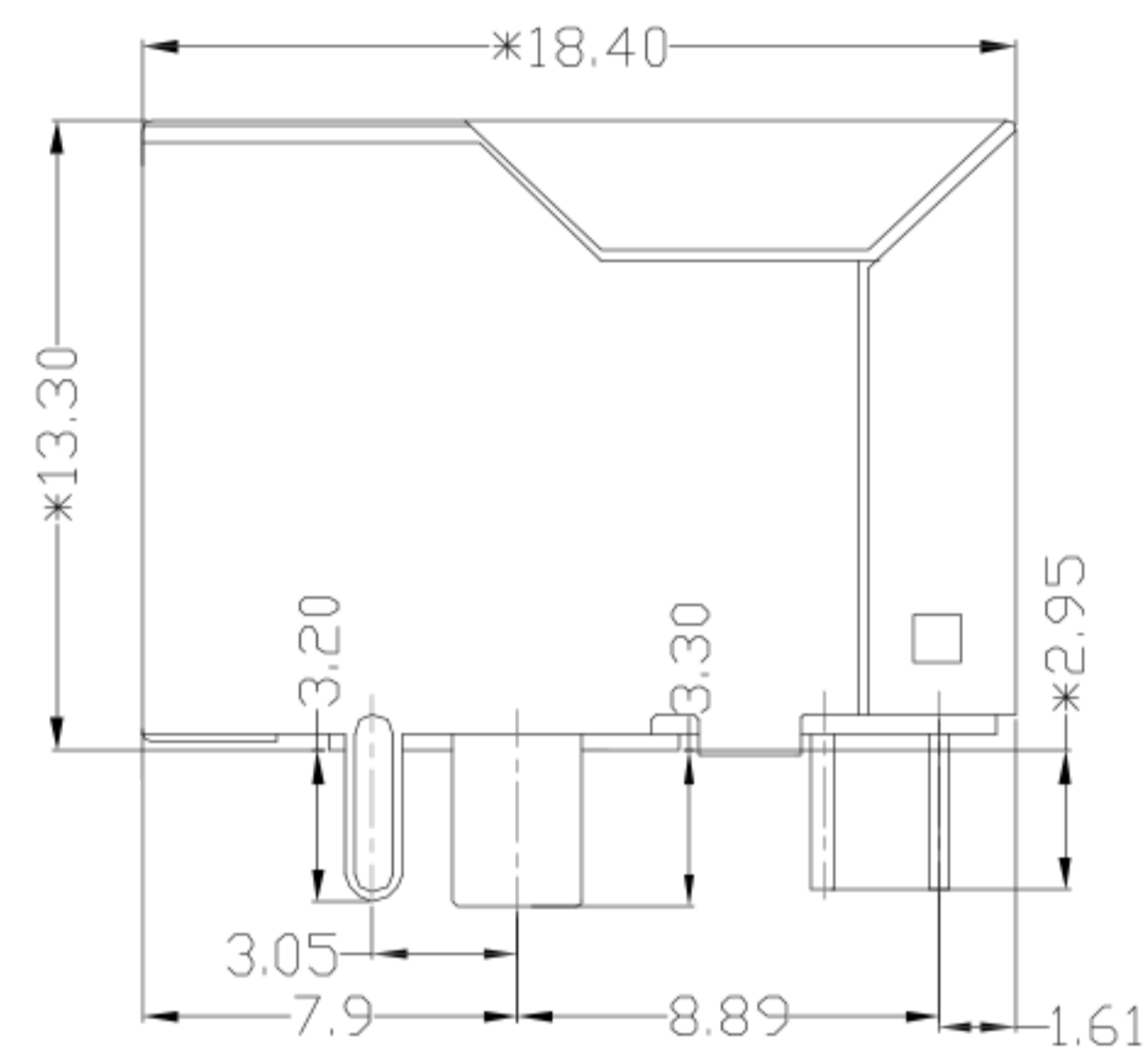
TOP VIEW



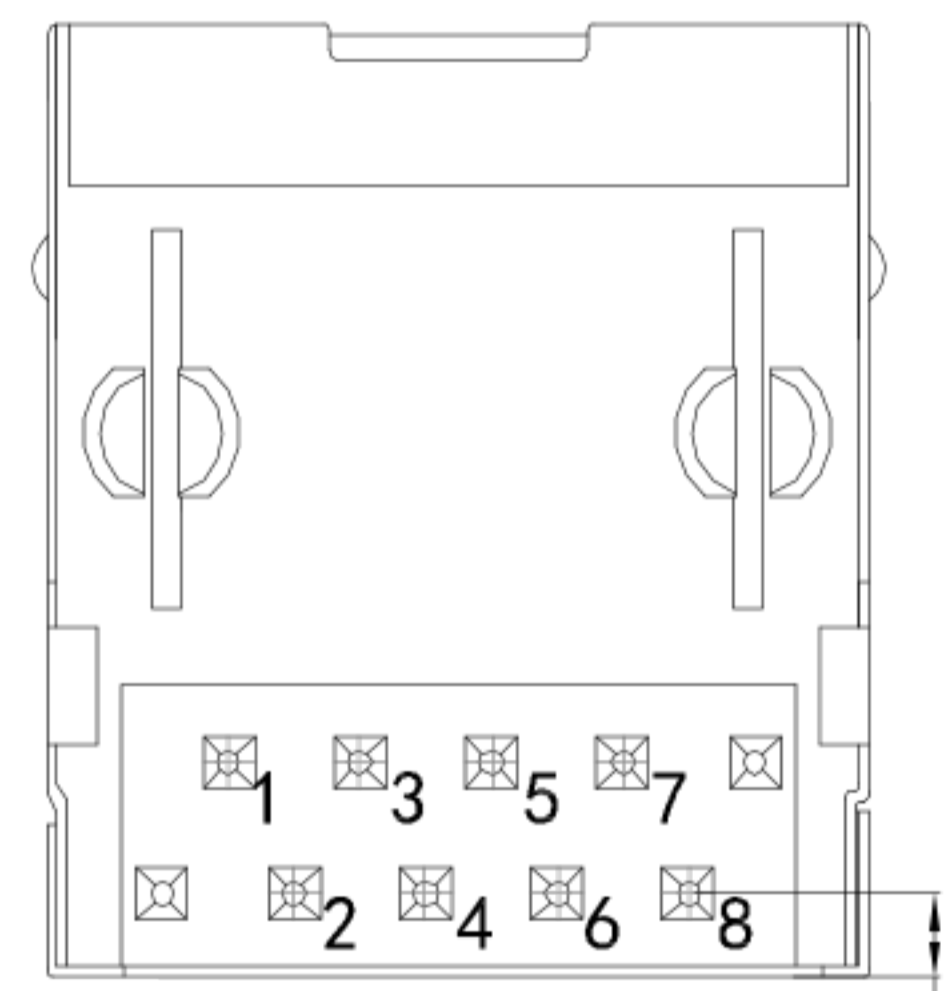
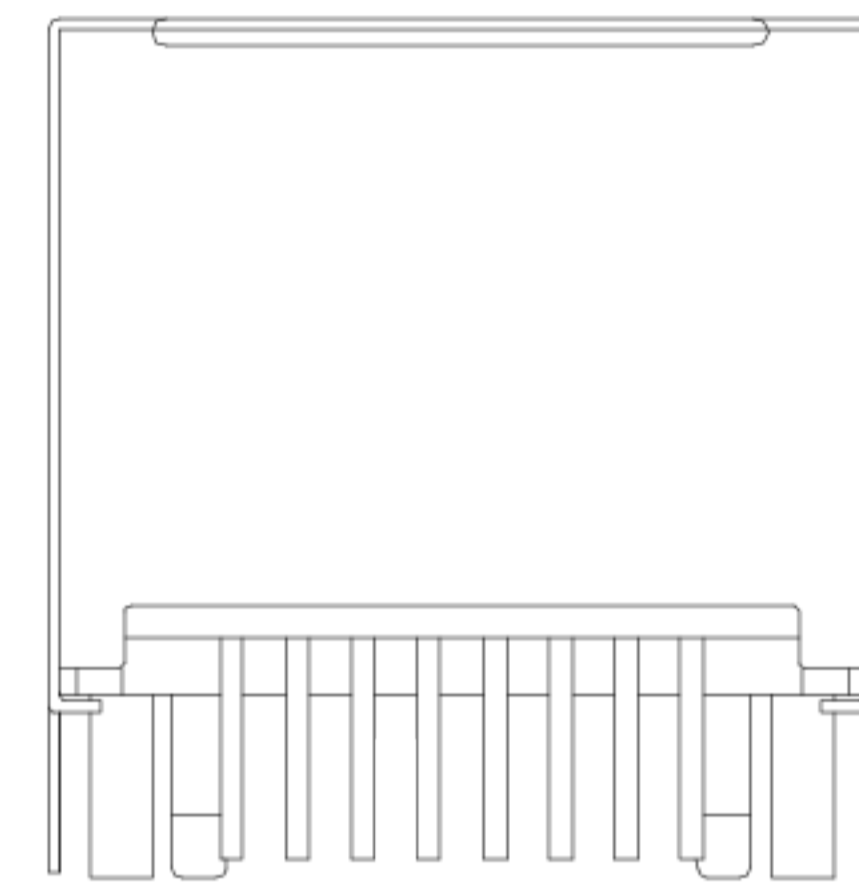
LEFT SIDE VIEW



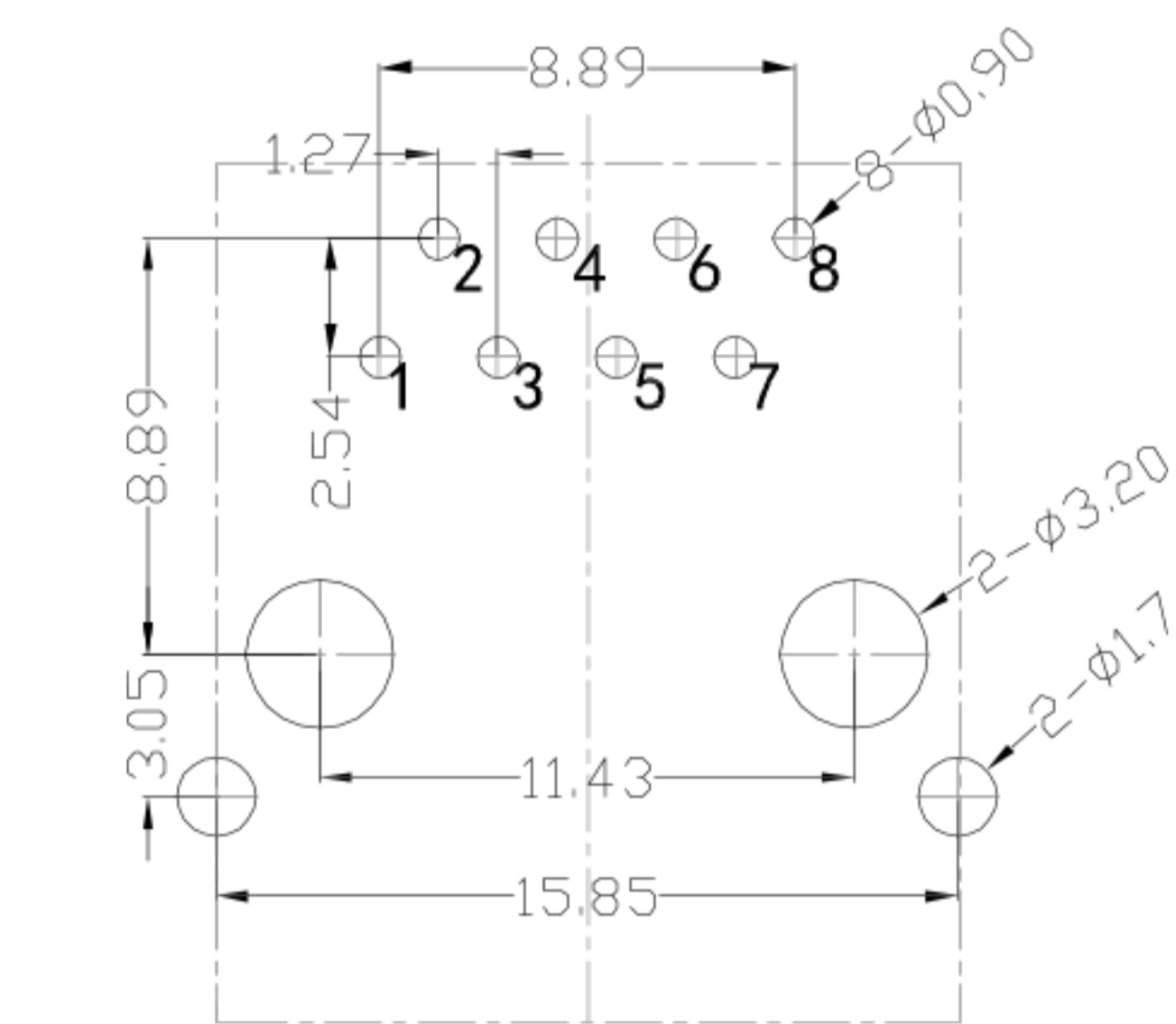
FRONT VIEW



RIGHT SIDE VIEW



BOTTOM VIEW



RECOMMENDED PCB LAYOUT  
VIEWED FROM COMPONENT SIDE

**MATERIAL:**

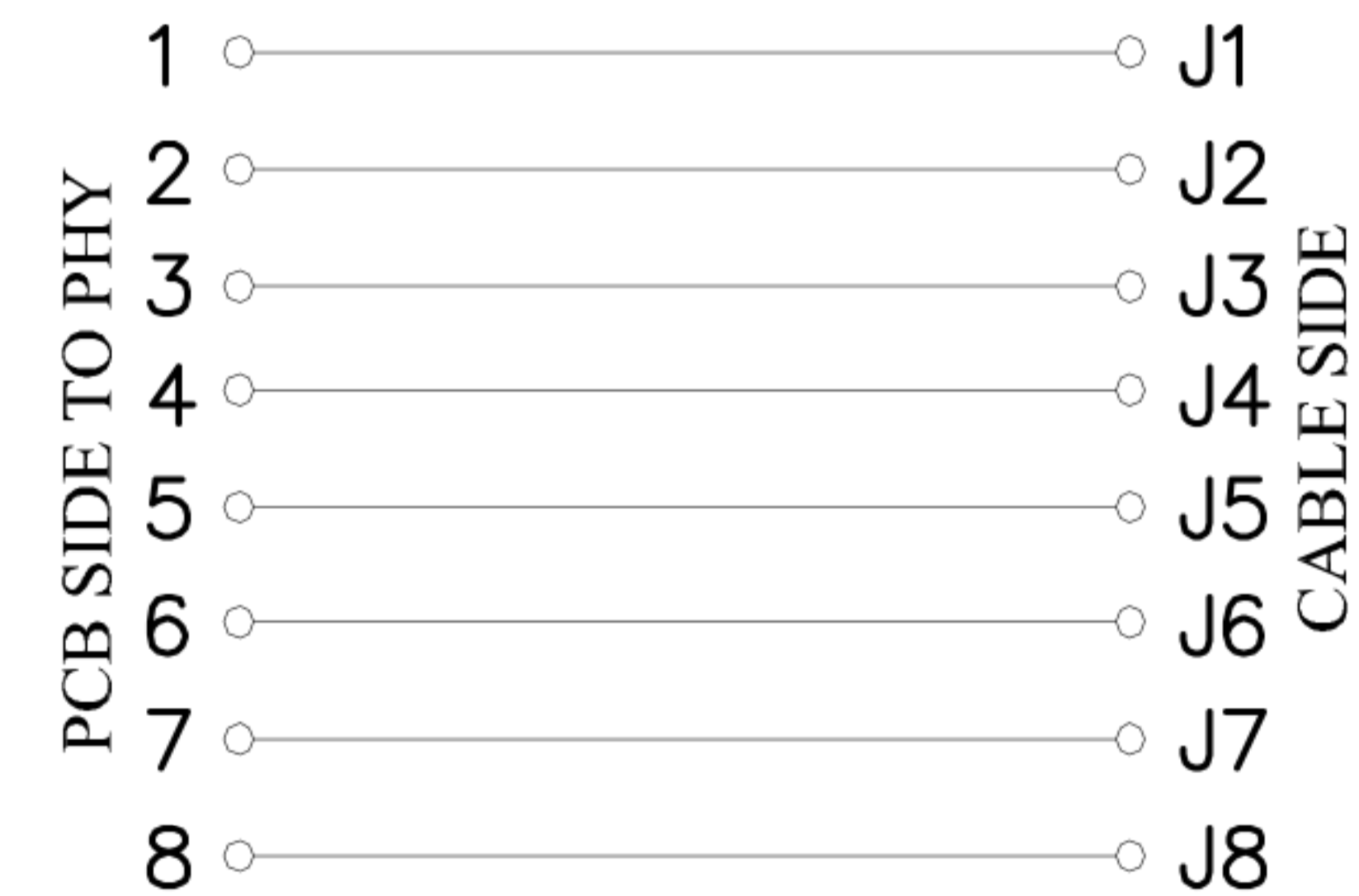
HOUSING: PA46,UL94V-0,BLACK.  
 TERMINAL: PHOSPHOR BRONZE Ø=0.46MM , 0.6U" GOLD PLATING.  
 SHIELD: C2680,T=0.20MM,20U" MIN NICKEL PLATING  
 ON ALL AREA.

**MACHANICAL:**

DURABILITY: 750 CYCLES MIN,12.5MM/MINUTE.  
 INSERTION FORCE: 2.2KG.F MAX.  
 RETENTION STRENGTH : 7.7KG.F BETWEEN JACK AND PLUG.  
 OPERATING TEMPERATURE: -40 °C~+85°C.  
 STORAGE TEMPERATURE: -40°C~+85°C.  
 ALL CRITICAL DIMENSIONS WITH "\*"

**ELECTRICAL:**

VOLTAGE: 125 VOLTS AC.  
 CURRENT RATING : 1.5AMP.  
 DIELECTRIC STRENGTH: 1000 VAC RMS 50HZ OR 60HZ,1MIN.  
 INSULATION RESISTANCE: 500 MEGA OHMS MIN. INITIAL  
 AFTER 500V DC FOR 1 MINUTE.  
 CONTACT RESISTANCE: SINGLE TERMINAL 30 MILLIOHMS MAX.  
 INITIAL 50 MILLIOHMS MAX. AFTER  
 DURABILITY TEST.



APPROVALS		DATE	<p><b>深圳市联丰盈电子有限公司</b> SHENZHEN LINFENGYING ELECTRONIC CO.,LTD</p>
DRAWN	ZHIWEI.CHEN	2015.07.07	
CHECKED			TITLE: 带屏蔽无灯
APPROVALS			PART NO. RJ45-9W11-DDN-AB-88-B1
TOLERANCES ARE	30~以上	±0.30	ANGLE UNIT: mm SCALE: 1:1 DRAWING NO.
	10~30	±0.20	
	5~10	±0.15	
	~ 5	±0.10	
CHANGE.	CHECK.	APPRO.	PROJ:  SHEET 1 OF 1

ECN NO.	REV.	DATE.	DESCRIPTION.	CHANGE.	CHECK.	APPRO.
	A		NEW			